

^{NTT}
docomo

Diorama Stadium

AR sports viewing platform based on cloud computing

»5G

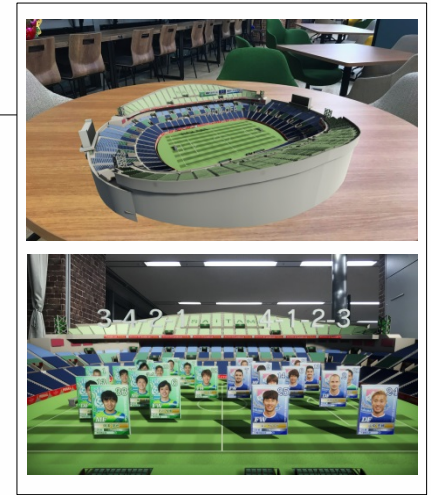
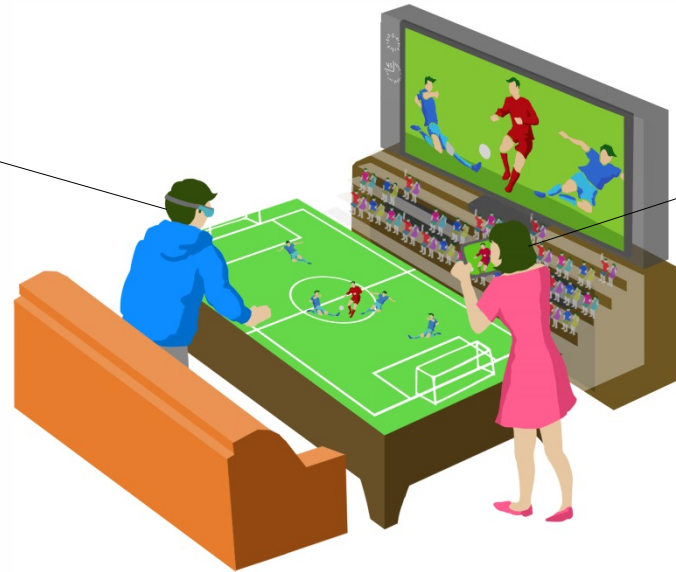
Diorama Stadium

Cloud computing platform combining live video telecasts with player movement and game information delivered over 5G for a new experience in real-time AR viewing

Benefits

- **Advanced cloud computing modeling system ready for 5G launch in 2020**
- **Real-time AR viewing leverages low-latency of 5G**
- **On-demand access to player information in multiple languages**

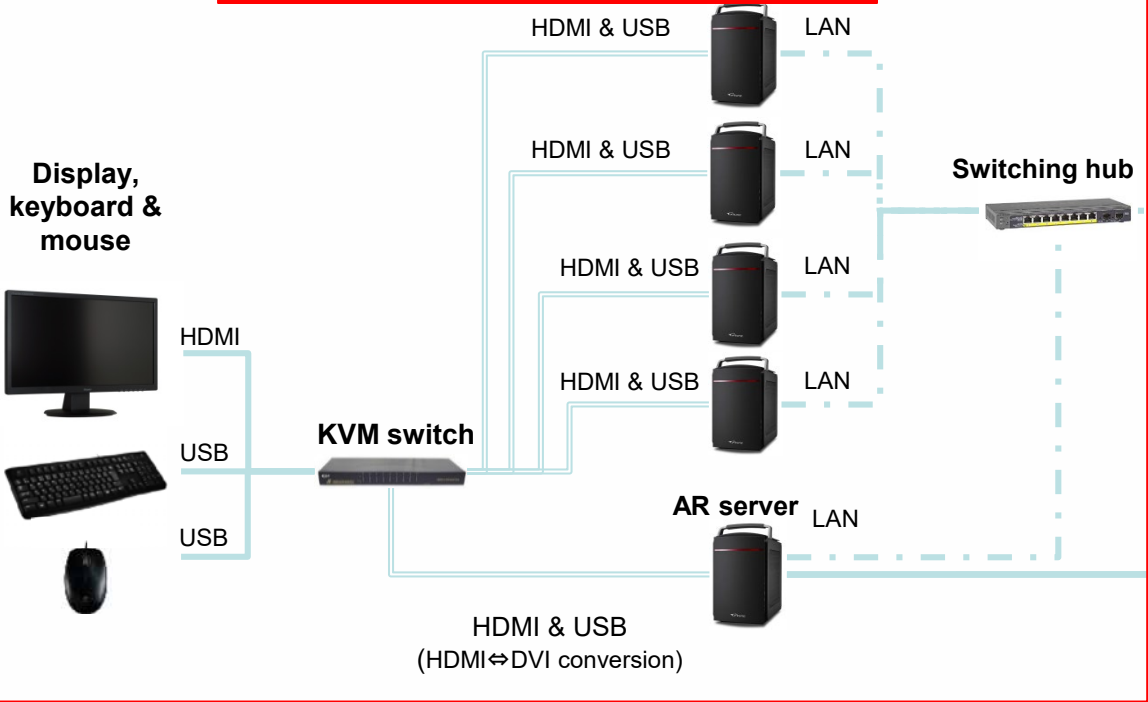
Diorama Stadium



**Activate Diorama Stadium in your living room
to augment the TV viewing experience**

Diorama Stadium System

GPU server system (including spare equipment) → From 2020 Cloud server



From 2020 Wi-Fi AP1 → 5G base station



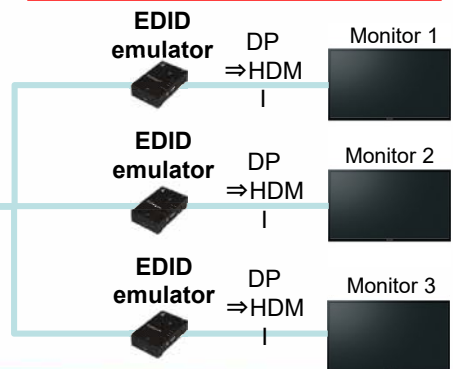
From 2020 iPad Pro → 5G Mobile



From 2020 Wi-Fi AP1 → 5G base station



From 2020 iPad Pro → 5G Mobile



^{NTT}
docomo

»5G